



Becatech

Interconnective Power



**Cable tie
(8 x 360)**

Technical Specification :

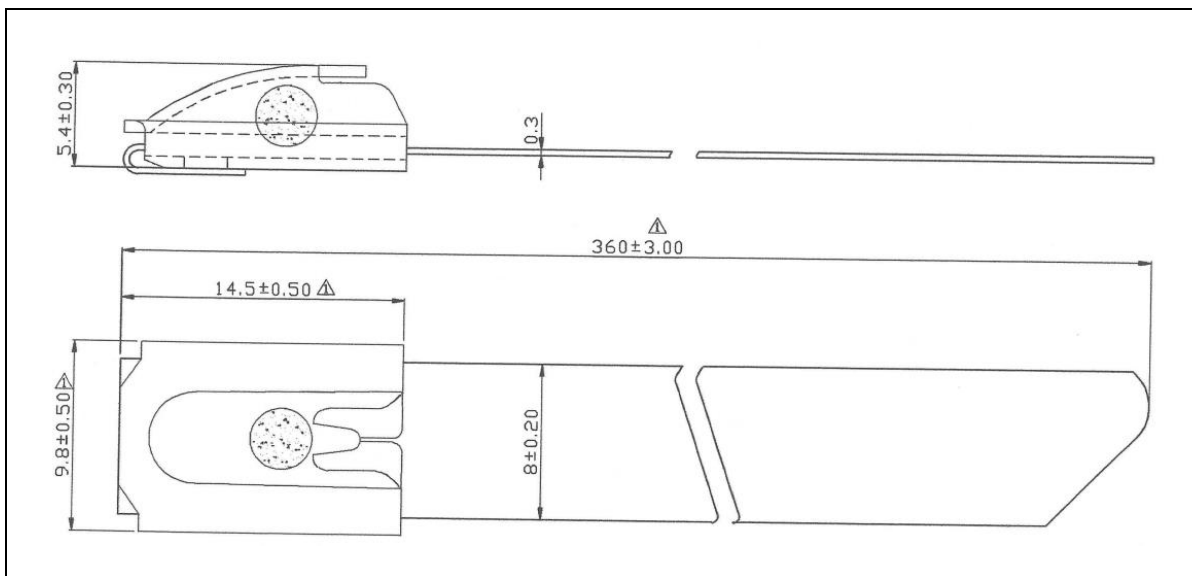
Temperature resistance of epoxy: -40°C to 120°C.

Temperature resistance: -80°C to 538°C.

Resistant against chemicals: acid and alkali resistant.

Material: 316 stainless steel coated with black epoxy.

Drawing :



Min. Loop Tensile kg	Max. Diameter mm	Length mm	Width mm
113.4	95	360	8

Becatech B.V.
Middenweg 18
3930 Hamont-Achel

info@becatech.be
www.becatech.be
+32 (0)11 19 29 45

IBAN BE89363217265185
VAT BE0777.903.079
CoC 0777.903.079