

Dynamic compression cable lug

Technical Specification :

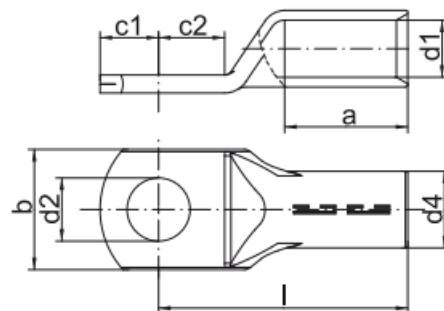
Material: copper (EN13600).

Surface: tin-plated to protect against corrosion.

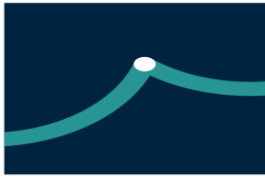
Characteristics:

- Easy to process due to crimp markings.
- Annealed material optimizes material and crimping properties.
- Simple and safe connection due to flat contact surfaces and internal chamfer.

Drawing :



Cross Section mm ²	Size Of Bolt Diam.	Dim. a	Dim. b	Dim. d1	Dim. d2	Dim. d4	Dim. c1	Dim. c2	Dim. l	Weight /100pcs (kg)
6	M5	10.5	8.5	3.8	5.3	5.5	6.5	7.5	25	0.24
	M6	10.5	8.5	3.8	6.4	5.5	8.0	8.5	25	0.30
	M8	10.5	13.0	3.8	8.4	5.5	10.0	10.0	25	0.34



Becatech

Interconnective Power

10	M5	10.5	9.0	4.5	5.3	6.0	6.5	9.0	28	0.37
	M6	10.5	9.0	4.5	6.4	6.0	8.0	9.0	28	0.36
	M8	13.0	13.0	4.5	8.4	6.0	10.0	10.5	28	0.38
16	M6	20.5	13.0	5.5	6.4	8.5	8.0	9.0	37	1.19
	M8	20.5	13.0	5.5	8.4	8.5	10.5	11.0	37	1.22
	M10	20.5	17.0	5.5	10.5	8.5	12.5	12.5	37	1.30
	M12	20.5	18.5	5.5	13.0	8.5	13.0	13.0	38	1.27
25	M6	20.5	14.0	7.0	6.4	10.0	8.0	9.0	39	1.51
	M8	20.5	16.0	7.0	8.4	10.0	10.5	11.0	39	1.54
	M10	20.5	17.0	7.0	10.5	10.0	12.5	13.0	39	1.62
	M12	20.5	19.0	7.0	13.0	10.0	13.5	13.5	39	1.66
35	M6	20.5	17.0	8.2	6.4	12.5	8.0	8.5	43	2.77
	M8	20.5	17.0	8.2	8.4	12.5	10.5	10.5	43	2.85
	M10	20.5	19.0	8.2	10.5	12.5	12.5	12.5	43	2.84
	M12	20.5	21.0	8.2	13.0	12.5	13.5	13.5	43	2.79
	M14	20.5	21.0	8.2	15.0	12.5	13.5	13.5	43	2.70
50	M8	28.0	20.0	10.0	8.4	14.5	10.5	11.0	53	4.46
	M10	28.0	22.0	10.0	10.5	14.5	12.5	12.5	53	4.48
	M12	28.0	24.0	10.0	13.0	14.5	13.5	13.5	53	4.40
	M14	28.0	24.0	10.0	15.0	14.5	14.0	14.5	53	4.30
	M16	28.0	28.0	10.0	17.0	14.5	16.5	16.5	53	4.57
70	M8	28.0	24.0	11.5	8.4	16.5	10.5	10.5	56	5.92
	M10	28.0	24.0	11.5	10.5	16.5	12.5	12.5	56	6.02
	M12	28.0	24.0	11.5	13.0	16.5	13.5	13.5	56	5.89
	M14	28.0	24.0	11.5	15.0	16.5	14.5	13.5	55	5.80
	M16	28.0	30.0	11.5	17.0	16.5	16.5	16.5	56	6.13
95	M8	35.0	28.0	13.5	8.4	19.0	12.5	12.5	66	9.21
	M10	35.0	28.0	13.5	10.5	19.0	12.5	12.5	66	8.97
	M12	35.0	28.0	13.5	13.0	19.0	13.5	13.5	66	8.62
	M14	35.0	28.0	13.5	15.0	19.0	13.5	14.5	66	8.78
	M16	35.0	32.0	13.5	17.0	19.0	16.5	16.5	66	9.00
120	M10	35.0	32.0	15.5	10.5	21.0	12.5	16.0	71	11.40
	M12	35.0	32.0	15.5	13.0	21.0	13.5	17.0	71	11.31
	M14	35.0	32.0	15.5	15.0	21.0	18.0	18.0	70	11.45
	M16	35.0	32.0	15.5	17.0	21.0	16.5	18.0	71	11.24
	M20	35.0	38.0	15.5	21.0	21.0	19.0	21.0	71	11.03
150	M10	35.0	34.0	17.0	10.5	23.5	12.5	15.5	79	16.38
	M12	35.0	34.0	17.0	13.0	23.5	13.5	17.0	79	16.29
	M14	35.0	34.0	17.0	15.0	23.5	17.5	20.0	79	16.38



Becatech

Interconnective Power

	M16	35.0	34.0	17.0	17.0	23.5	16.5	20.0	79	16.17
	M20	35.0	40.0	17.0	21.0	23.5	19.5	22.0	79	15.90
185	M10	40.0	37.0	19.0	10.5	25.5	12.5	16.5	83	18.96
	M12	40.0	37.0	19.0	13.0	25.5	13.5	17.5	83	18.11
	M14	40.0	37.0	19.0	15.0	25.5	17.5	19.0	83	19.21
	M16	40.0	37.0	19.0	17.0	25.5	16.5	20.0	83	18.74
	M20	40.0	40.0	19.0	21.0	25.5	19.5	22.0	83	18.69
240	M12	40.0	42.0	21.5	13.0	29.0	13.5	18.0	93	27.00
	M14	40.0	42.0	21.5	15.0	29.0	17.5	20.0	93	27.58
	M16	40.0	42.0	21.5	17.0	29.0	16.5	21.0	93	27.37
	M20	40.0	45.0	21.5	21.0	29.0	19.5	23.0	93	26.88
300	M12	50.0	46.0	24.5	13.0	32.0	14.0	22.0	101	32.89
	M14	50.0	46.0	24.5	15.0	32.0	17.0	22.0	101	33.29
	M16	50.0	46.0	24.5	17.0	32.0	16.5	23.0	101	32.94
	M20	50.0	46.0	24.5	21.0	32.0	19.5	22.0	101	33.24
400	M14	70.0	54.0	27.5	15.0	38.5	22.5	23.0	116	69.38
	M16	70.0	54.0	27.5	17.0	38.5	22.5	23.0	116	68.54
	M20	70.0	54.0	27.5	21.0	38.5	22.5	23.0	116	65.40
500	M16	70.0	60.0	31.0	17.0	42.0	23.5	26.0	126	83.31
	M20	70.0	60.0	31.0	21.0	42.0	22.5	26.0	126	81.58
625	M16	80.0	64.0	34.5	17.0	44.0	23.0	26.0	137	79.60
	M20	80.0	64.0	34.5	21.0	44.0	22.5	26.0	136	79.69
800	M16	100.0	75.0	40.0	17.0	52.0	30.0	30.0	166	150.0
	M20	100.0	75.0	40.0	21.0	52.0	22.5	30.0	166	149.0
1000	M16	100.0	83.0	44.0	17.0	58.0	30.0	30.0	166	199.0
	M20	100.0	83.0	44.0	21.0	58.0	30.0	30.0	166	195.0

Becatech B.V.
Middenweg 18
3930 Hamont-Achel

info@becatech.be
www.becatech.be
+32 (0)11 19 29 45

IBAN BE89363217265185
VAT BE0777.903.079
CoC 0777.903.079